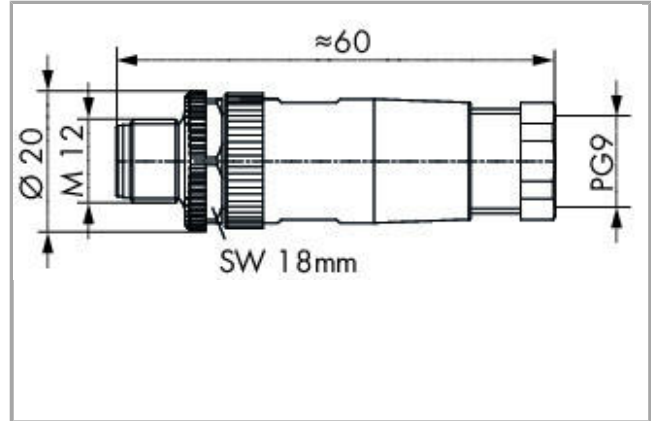


Data sheet | Item number: 756-9203/050-000

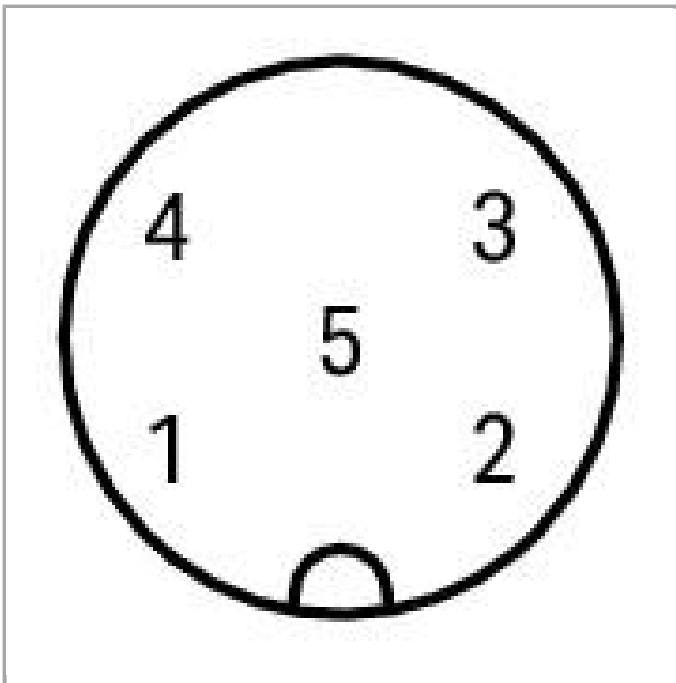
Connectors for sensor/actuator cable; 5-pole; M12 plug, straight



756-9203/050-000



RoHS Compliant [BOMcheck.net](https://www.bomcheck.net)



Conductor size
Ø 6 ... 8 mm / 0.14 - 0.5 mm²

Data



Technical Data

Connection type	M12 plug
No. of poles	5
Leitungsanschlussrichtung zur Steckrichtung	0°
Steckgesichtskodierung Leitung/Adapter 1 1	A coded

Connection data

Connection type (1)	Federtechnik
---------------------	--------------

Mechanical data

Connectable sheathed cable diameter	6 ... 8 mm
Weight	27 g

Environmental Requirements

Surrounding air (operating) temperature	-25 ... 85 °C
Protection class	IP67

Commercial data

Country of origin	DE
GTIN	4050821114192
Customs Tariff No.	85366990990

Downloads

Documentation

System Description

767 Series, SPEEDWAY accessories, data sheet	pdf 1.0 MB	Download
----------------------------------------------	---------------	----------

Subject to changes.